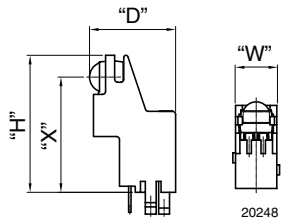
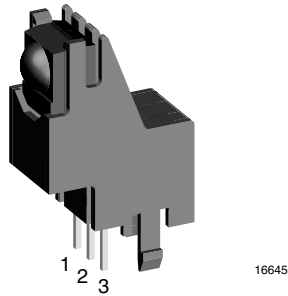


IR Receiver Modules for Remote Control Systems


FEATURES

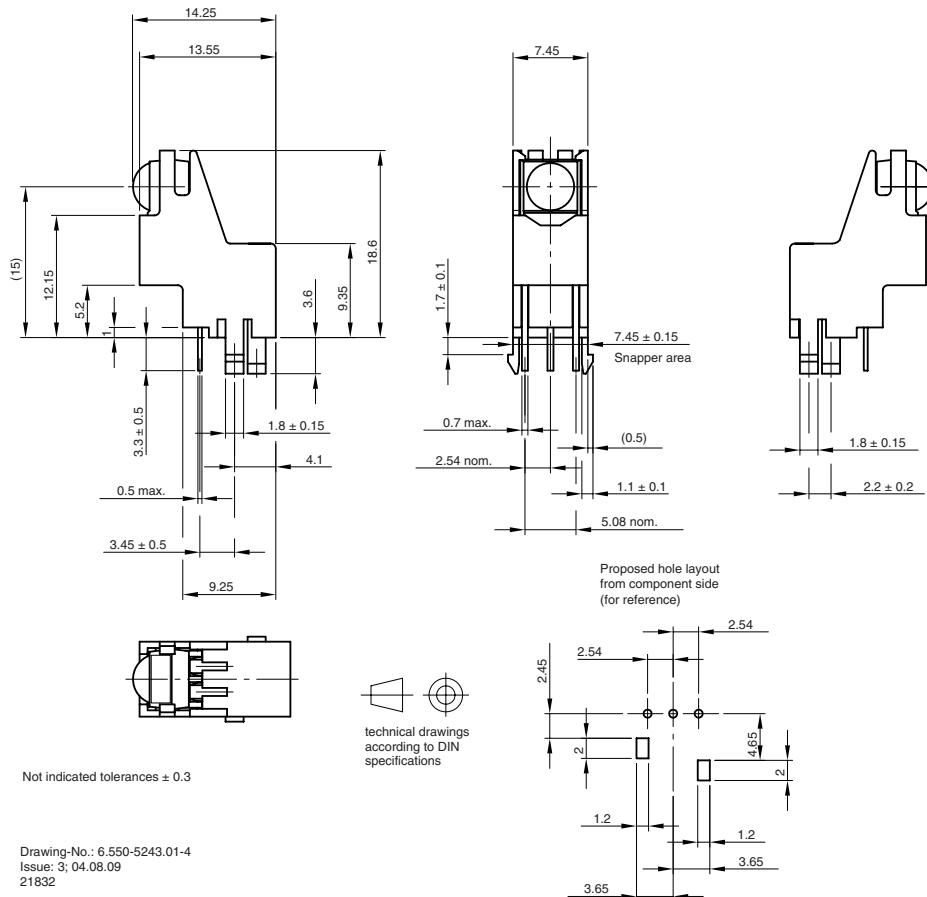
- Compliant to RoHS directive 2002/95/EC and in accordance to WEEE 2002/96/EC


AVAILABLE FOR:

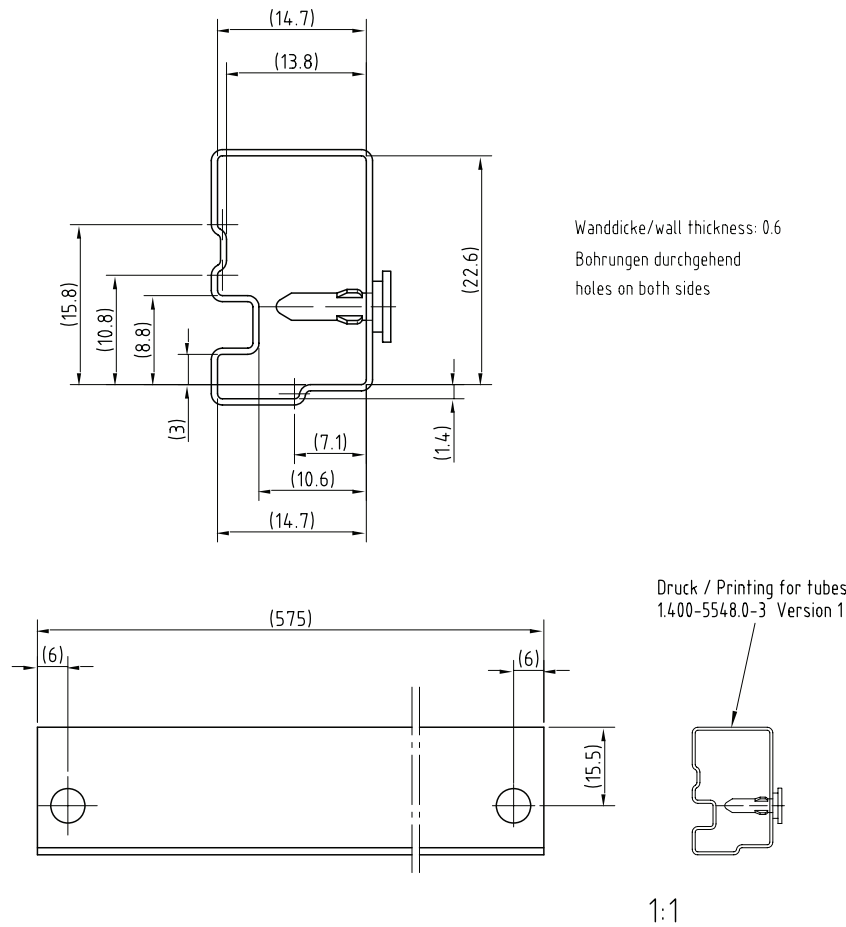
- TSOP34...
- TSOP4....
- TSOP32...
- TSOP2....


RoHS
COMPLIANT

| NAME | LENS AXIS (X) | VIEW | TYPE | HEIGHT (H) | WIDTH (W) | DEPTH (D) |
|------|---------------|------|--------|------------|-----------|-----------|
| KU1 | 15 | Side | Holder | 18.6 | 7.45 | 14.25 |

MECHANICAL DIMENSIONS in millimeters


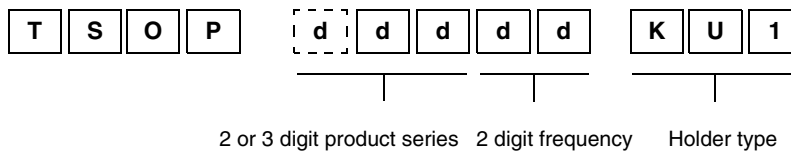
PACKAGING DIMENSIONS in millimeters



Drawing-No.: 9.700-5261.0-4
Rev. 4; Date: 20.11.03

20270-1

ORDERING INFORMATION



Note

d = "digit", please consult the list of available series on the previous page to create a valid part number.

Example: TSOP14838KU1

PACKING QUANTITY

- 73 pieces per tube
- 20 tubes per carton